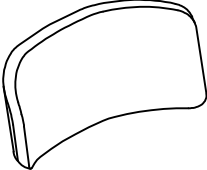
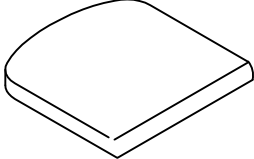


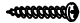
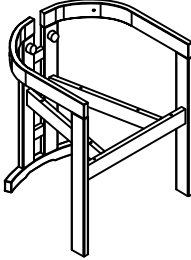



**ITEM NAME/NOM D'ITEM: POLY DINING CHAIR**

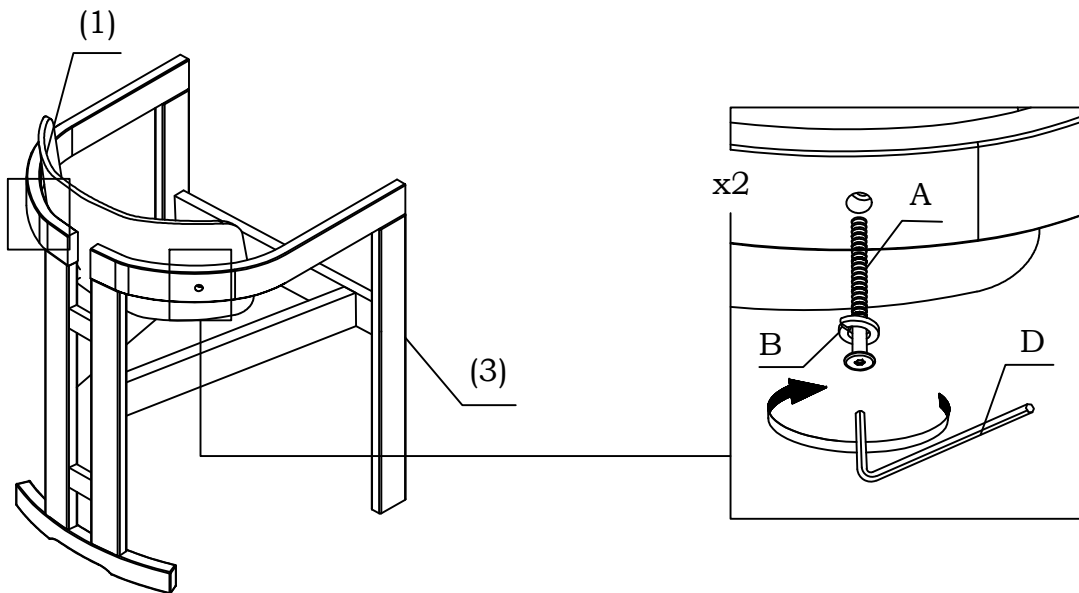
**ITEM #/NO. ITEM: 110498**

**PARTS LIST/LISTE DES PIÈCES**

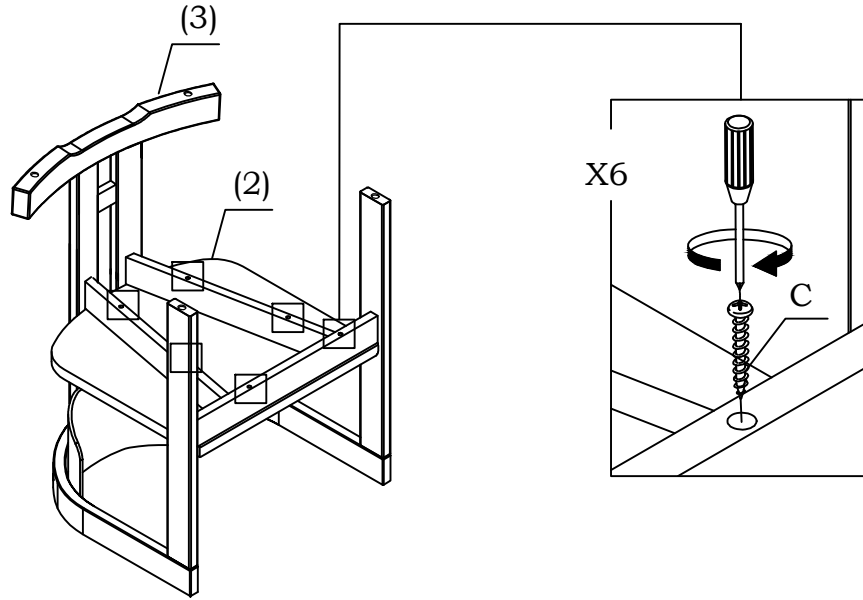
(1)	(2)	(4)
 <p style="text-align: right;">x1</p>	 <p style="text-align: right;">x1</p>	<p>A.  M6 x 40MM(BLK) x2</p> <p>B.  1/4 (BLK) x4</p>
(3)		<p>C.  5 x 32MM x6</p>
 <p style="text-align: right;">x1</p>		<p>D.  M4 x1</p>

**ASSEMBLY INSTRUCTIONS/INSTRUCTIONS D'ASSEMBLAGE**

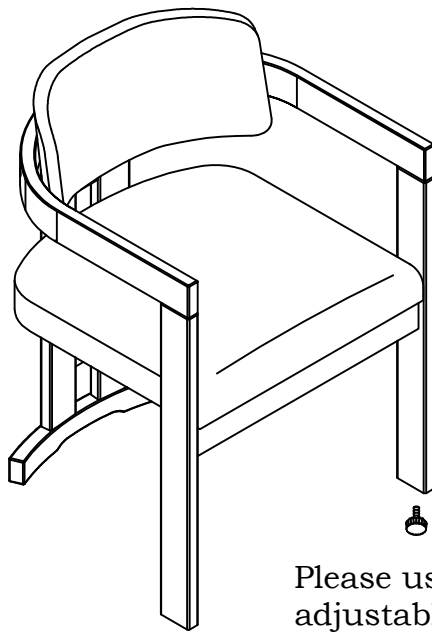
I.




II.



III.



 Assembly

Please use the attached adjustable footglides to level the chair on an uneven surface.